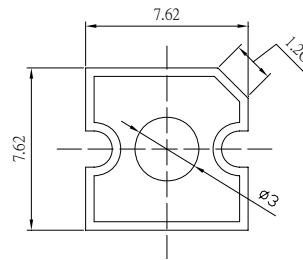


■Features

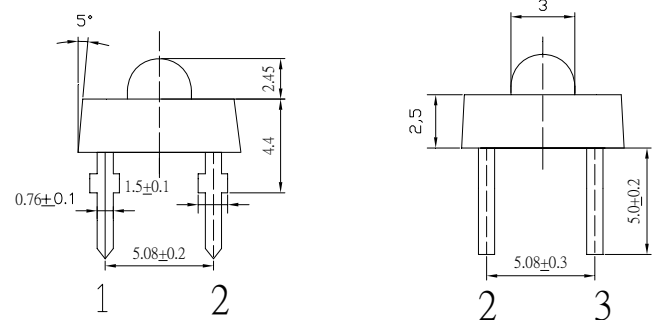
- High Luminous Super Flux Output
- 3 σ Standard Directivity
- Long Lifetime Operation
- Low Thermal Resistance
- Superior Weather-Resistance
- UV Resistant Epoxy
- Water Clear Type

■Applications

- Interior and exterior automotive lighting (e.g. dashboard backlighting etc.)
- Backlighting (Illuminated advertising, general lighting, etc)
- Decorative Lighting
- Other Lighting

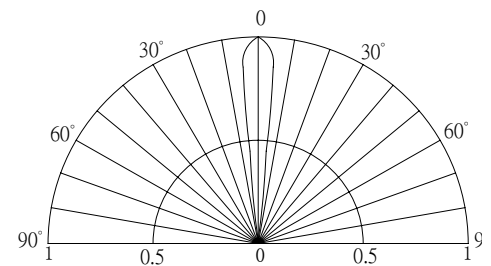
■Outline Dimension


Unit:mm
Tolerance: ± 0.3 mm
1,4 Anode
2,3 Cathode


■Absolute Maximum Rating
(Ta=25°C)

Item	Symbol	Value	Unit
DC Forward Current	I_F	50	mA
Pulse Forward Current*	I_{FP}	100	mA
Reverse Voltage	V_R	5	V
Power Dissipation	P_D	180	mW
Operating Temperature	T_{opr}	-30 ~ +85	°C
Storage Temperature	T_{stg}	-40 ~ +100	°C
Lead Soldering Temperature	T_{sol}	260 °C / 5sec	-

*Pulse width Max.10ms , Duty ratio max 1/10

■Directivity

■Electrical -Optical Characteristics
(Ta=25°C)

Item	Symbol	Condition	Min.	Typ.	Max.	Unit
DC Forward Voltage	V_F	$I_F=30$ mA	2.9	3.1	3.6	V
DC Reverse Current	I_R	$V_R=5$ V	-	-	10	μ A
Luminous Intensity*	I_v	$I_F=30$ mA	12000	14400	-	mcd
Chromaticity Coordinates*	x	$I_F=30$ mA	-	0.45	-	
	y	$I_F=30$ mA	-	0.41	-	
50% Power Angle	$2\theta_{1/2}$	$I_F=30$ mA	-	15	-	deg

*1 Tolerance of chromaticity coordinate is $\pm 10\%$

*2 Tolerance of luminous intensity is $\pm 15\%$